

Wafer Check VALVE

Features

- Strength concerns of plastic wafer check are resolved using stress analysis.
- Corrosion resistance is improved by all-plastic wetted part and coated spring.
- Weight is 1/3 to 1/5 of that of metal type.
- Stopper-integrated structure eliminates the use of gasket during piping, allowing cost reduction.



Basic specifications

- Valve Type : Wafer Check Valve
- Size : 80 mm — 300 mm (3 inch — 12 inch)
- Body Material : U-PVC (Conforming to ASTM D1784 Cell Classification 12454A)
- Seal Material / O-ring : EPDM, FKM
- Connection / Wafer : JIS B2220 10K, DIN/EN1092-1, ANSI B16.5

Body Material	FLUID TEMPERATURE °C {°F}	Maximum working pressure (Normal temperature) MPa {psi}	
		80mm-200mm	250mm, 300mm
U-PVC	0 ~ 50 { 30~120 }	1.0 { 150 }	0.6 { 85 }

Note: The maximum working pressure is the value including the water hammer pressure. Be careful that the maximum working pressure is not exceeded during use.

The wafer check valve is most suited for water and sea water lines. When it is used for a chemical line, contact us to check the chemical resistance.

They can be used for both horizontal and vertical pipes, but make sure during installation that the arrow direction of the valve body is aligned with the flow direction of the fluid.

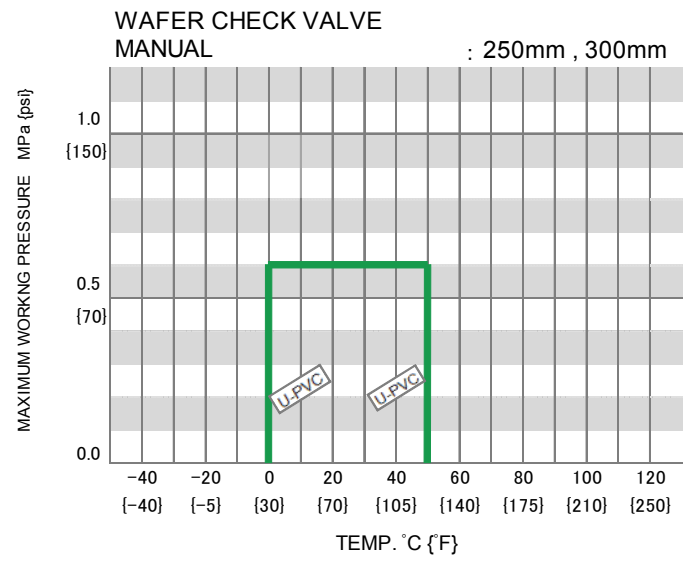
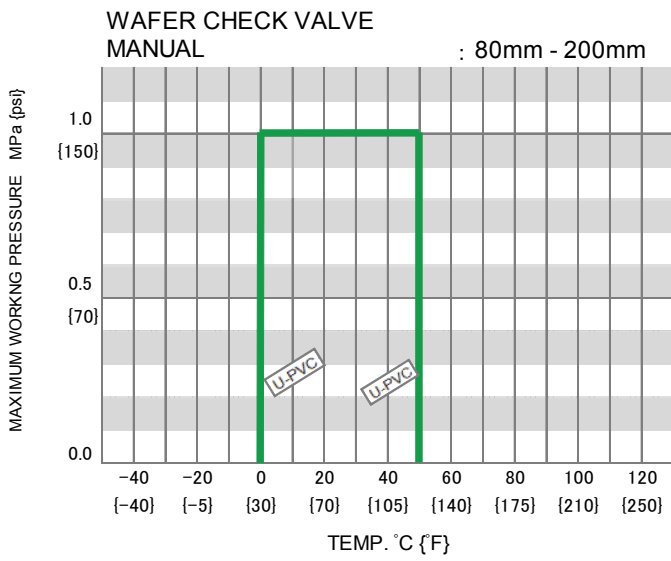
*Concerning the allowable pressure for each temperature and material, see the technical documents at the next page of this sheet.

Certificate / Approval / Directive

PED, ABS, NSF/ANSI61

“For details of applicable products, please consult us.”

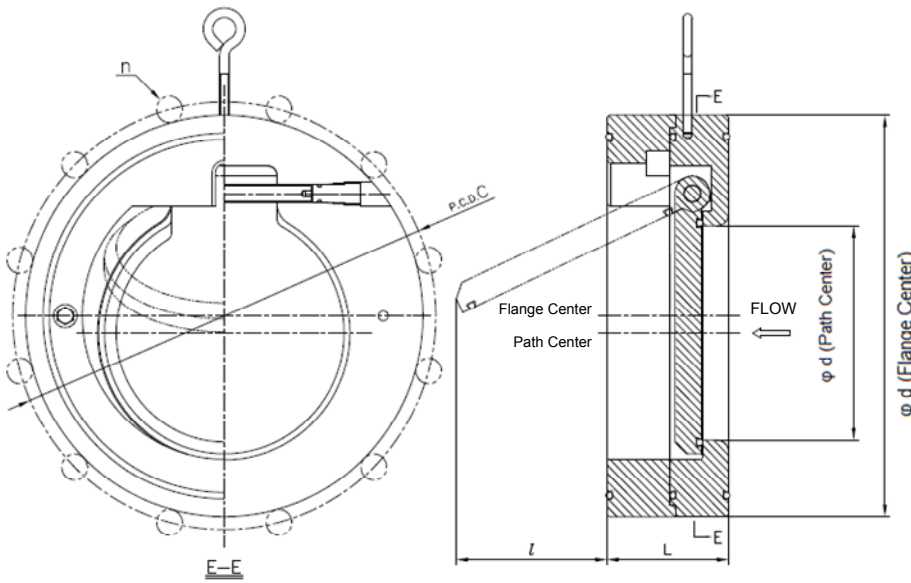
Working pressure vs. Temperature



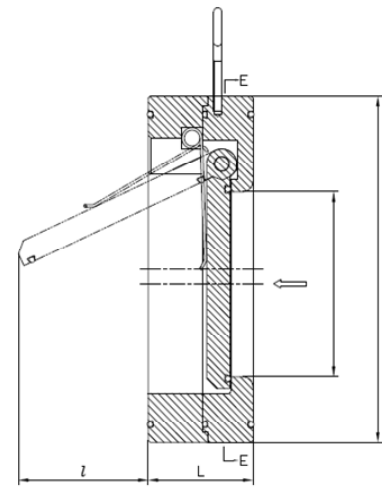
Make sure that the temperature and pressure are within the working range during operation.
(If the tolerance range is exceeded during use, the valve may be damaged.)

Product dimension

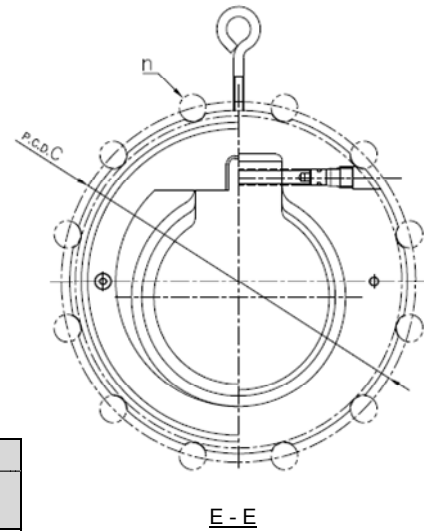
125mm (5"), 150mm (6"), 250mm (10"), 300mm (12")



(SPRING TYPE)



80mm (3"), 100mm (4"), 200mm (8")



■ JIS, DIN (Unit: mm)

mm	inch	d	D	L	l
80	3	47	144	63	22.6
100	4	52	175	70	34.9
125	5	77	190	76	50.9
150	6	92	220	82	64.8
200	8	132	279	101	93.6
250	10	177	333	114	129.0
300	12	217	378	115	165.6

JIS 10K		DIN PN10	
D	n	D	n
150	8	160	8
175	8	180	8
210	8	210	8
240	8	240	8
290	12	295	8
355	12	350	12
400	16	400	12

■ ANSI (Unit: inch)

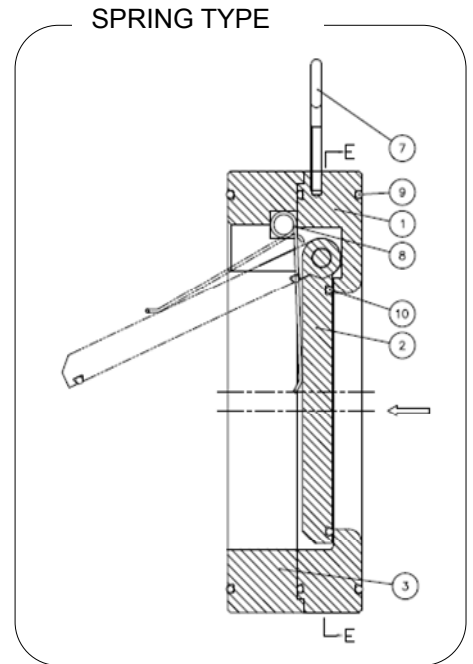
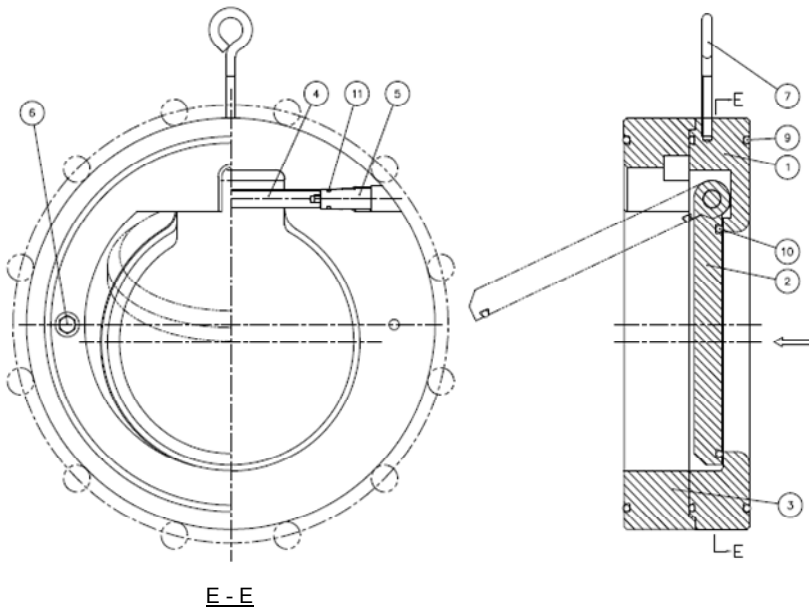
inch	mm	d	D	L	l
3	80	1.85	5.67	2.48	0.89
4	100	2.05	6.89	2.76	1.37
5	125	3.03	7.76	2.99	2.00
6	150	3.62	8.74	3.23	2.55
8	200	5.20	10.98	3.98	3.69
10	250	6.97	13.39	4.49	5.08
12	300	8.54	16.14	4.53	6.52

ANSI Class150	
D	n
6.00	4
7.50	8
8.50	8
9.51	8
11.75	8
14.25	12
17.01	12

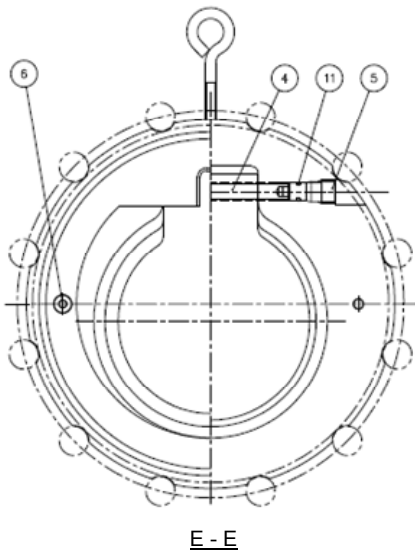
The shape and appearance of the assembly differ a little with nominal size and a connection standard of this drawing.

Parts list

125mm (5"), 150mm (6"), 250mm (10"), 300mm (12")



80mm (3"), 100mm (4"), 200mm (8")



PART NO./NAME	QTY	MATERIAL
1 BODY	1	PVC
2 DISC	1	
3 STOPPER	1	
4 SHAFT	1	
5 SHAFT PLUG	1	
6 BOLT	2	

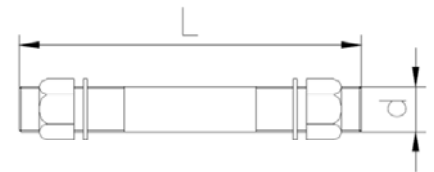
PART NO./NAME	QTY	MATERIAL
7 I BOLT	1	Chromized STEEL Unichrome
8 SPRING	1	SWP-B PTFE Coating Used for Spring Type only
9 O-RING (A)	3	EPDM, FKM
10 O-RING (B)	1	
11 O-RING (C)	1	

Cv value for each opening degree

FULL-OPEN Cv VALUE

mm	80	100	125	150	200	250	300
inch	3	4	5	6	8	10	12
FULL-OPEN Cv VALUE	137	200	372	663	1225	2061	3017

Pipe bolt dimensions (Reference: recommended data)



WAFER CHECK VALVE

FLANGED (JIS10K)

UNIT: mm

SIZE	80	100	125	150	200	250	300
SCREW SIZE (d)	M16	M16	M20	M20	M20	M22	M22
NO.OF FLANGE HOLES	8	8	8	8	12	12	16
FLANGE THICKNESS	22	22	24	26	28	30	30
WAFER CHECK VALVE (L)	150	160	175	185	210	230	230

The above values indicate the bolt dimensions when an AV TS flange is used.

Product weight

WAFER CHECK VALVE

UNIT : kg

mm	inch	FLANGED(JIS 10K) U-PVC
80	3	1.0
100	4	1.8
125	5	2.1
150	6	2.9
200	8	4.6
250	10	7.6
300	12	12.0

Product model code list

ACTUATION	TYPE	OPERATING SYSTEM	BODY MATERIAL	SEAL MATERIAL	CONNECTION	STANDARD	SIZE
V	WC	ZZ	U	*	W	*	***
V MANUAL VALVE	WC WAFER CHECK	ZZ NONE	U U-PVC	E EPDM V FKM	W WAFER	D DIN A ANSI 1 JIS 10K	080 80mm 300 200mm

Installation, Operation and Maintenance Manual

"For details of Installation, Operation and Maintenance, please refer IOM at below link"

http://www.asahi-yukizai.co.jp/en/product/mt_pdf/a_manual_Valve_4_02.pdf