

## 3 WAY BALL VALVE TYPE 23H

### Features

- Horizontal 3 way ball valve.
- T-shaped flow path allows for easy switching of flow channel.
- End connector and union nut are compatible with 3 way ball valve type 23.



### Basic specifications

- Valve Type : 3 Way Ball Valve Type 23H (manual type)
- Size : 25 mm — 40 mm ( 1 inch — 1 1/2 inch)
- Body Material : PP (Conforming to ASTM D4101 Cell Classification PP0210B67272)
- Seal Material / Seat : PTFE  
O-ring : EPDM, FKM etc.
- Connection / Flanged : JIS B2220 10K, DIN/EN1092-1 PN10, ANSI B16.5 CLASS150  
Socket : JIS , DIN, ANSI  
Threaded : Rc, Rp, NPT

Body Material	FLUID TEMPERATURE °C {°F}	Max. working pressure (Normal temperature) MPa {psi }	Connection method		
			Flanged	Socket	Threaded
PP	-20 ~ 80 { -5~175 }	1.0 { 150 }	○	○	○

#### Note:

The maximum working pressure is the value including the water hammer pressure. Be careful that the maximum working pressure is not exceeded during use.

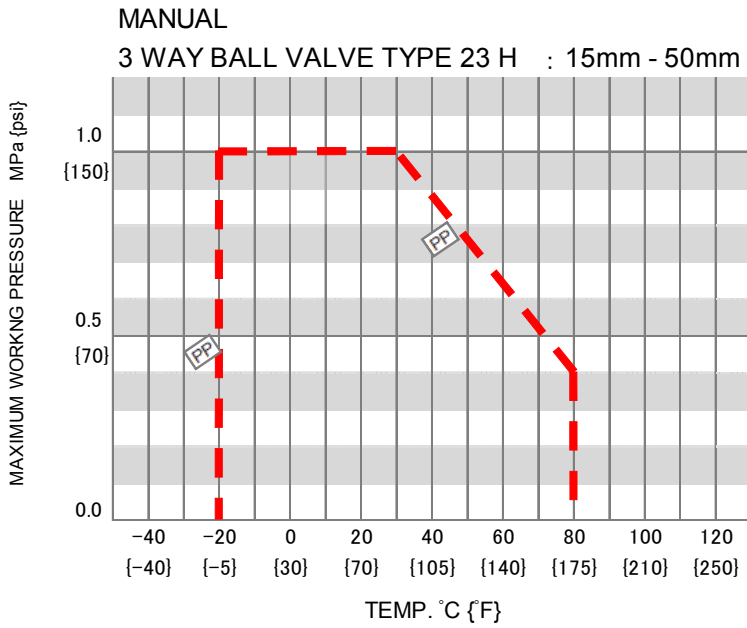
- \* Concerning the allowable pressure for each temperature and material, see the technical documents at the next page of this sheet.

### Certificate / Approval / Directive

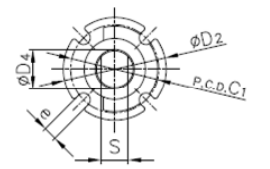
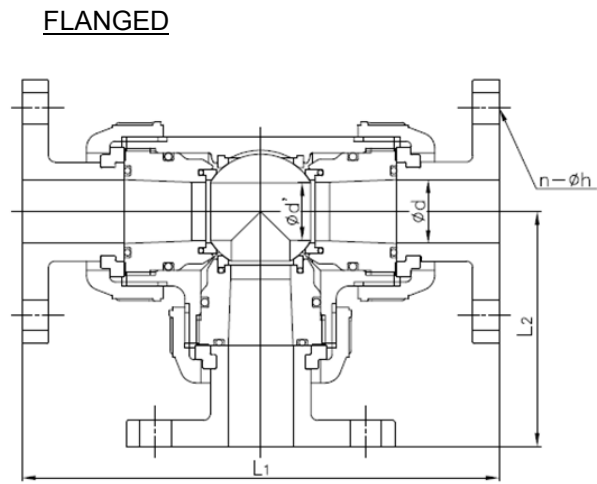
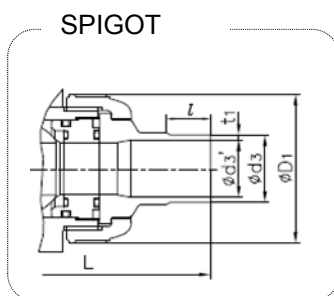
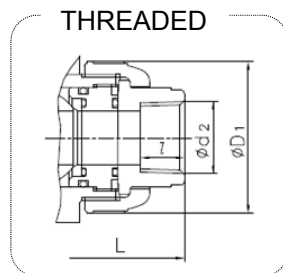
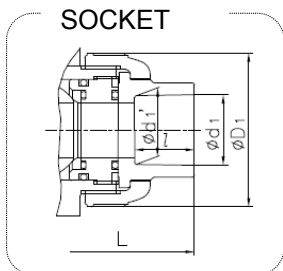
**PED, ABS, NSF/ANSI61**

“For details of applicable products, please consult us.”

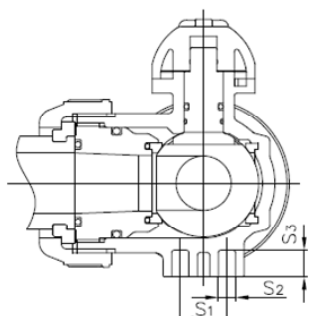
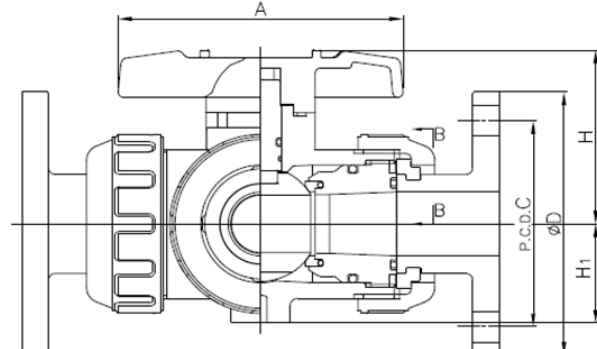
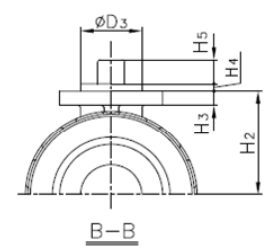
### Working pressure vs. Temperature



### Product dimension



(Detail of stem part.)



## ■ JIS, DIN (Unit: mm)

mm	d	d'	D <sub>1</sub>	D <sub>2</sub>	D <sub>3</sub>	D <sub>4</sub>	C <sub>1</sub>	H	H <sub>1</sub>	H <sub>2</sub>	H <sub>3</sub>	H <sub>4</sub>	H <sub>5</sub>	A	S	S <sub>1</sub>	S <sub>2</sub>	S <sub>3</sub>	e
25	25	22	70	42	25	15	36	68	39	43.5	6	3	10	110	11	19	7.3	11	5.5
32	40	34	100	57	35	23	50	89	55	61	10	3	12	131	18	30	9	15	6.5
40	40	34	100	57	35	23	50	89	55	61	10	3	12	131	18	30	9	15	6.5

## ■ JIS (Unit: mm)

mm	FLANGED							SOCKET					THREADED			
	JIS 10K				t	L <sub>1</sub>	L <sub>2</sub>	d <sub>1</sub>	d <sub>1</sub> '	l	L <sub>1</sub>	L <sub>2</sub>	d <sub>2</sub>	l	L <sub>1</sub>	L <sub>2</sub>
	D	C	n	h												
25	125	90	4	19	14	216	108	33.0	32.0	25	170	85	Rc 1	20	159	79.5
32	135	100	4	19	16	260	130	-	-	-	-	-	Rc1 1/4	22	208	104
40	140	105	4	19	16	260	130	47.0	46.0	28	219	109.5	Rc1 1/2	25	208	104

## ■ ANSI (Unit: inch)

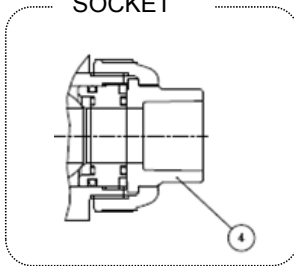
inch	mm	d	d'	D <sub>1</sub>	D <sub>2</sub>	D <sub>3</sub>	D <sub>4</sub>	C <sub>1</sub>	H	H <sub>1</sub>	H <sub>2</sub>	H <sub>3</sub>	H <sub>4</sub>	H <sub>5</sub>	A	S	S <sub>1</sub>	S <sub>2</sub>	S <sub>3</sub>	e
1	25	0.98	0.87	2.76	1.65	0.98	0.59	1.42	2.68	1.54	1.71	0.24	0.12	0.39	4.33	0.43	0.75	0.29	0.43	0.22
1 1/4	32	1.57	1.34	3.94	2.24	1.38	0.91	1.97	3.50	2.17	2.40	0.39	0.12	0.47	5.16	0.71	1.18	0.35	0.59	0.26
1 1/2	40	1.57	1.34	3.94	2.24	1.38	0.91	1.97	3.50	2.17	2.40	0.39	0.12	0.47	5.16	0.71	1.18	0.35	0.59	0.26

## ■ ANSI (Unit: inch)

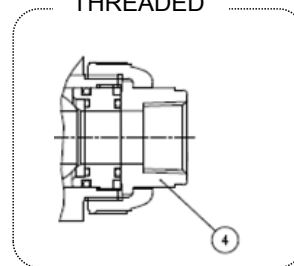
inch	mm	FLANGED							SOCKET				THREADED			
		ANSI Class 150				t	L <sub>1</sub>	L <sub>2</sub>	d <sub>1</sub>	l	L <sub>1</sub>	L <sub>2</sub>	d <sub>2</sub>	l	L <sub>1</sub>	L <sub>2</sub>
		D	C	n	h											
1	25	4.25	3.13	4	0.62	0.55	8.50	4.25	1.30	1.13	6.77	3.39	1-11 1/2 NPT	0.79	6.26	3.13
1 1/4	32	4.62	3.50	4	0.62	0.63	10.24	5.12	1.65	1.25	8.74	4.37	1 1/4-11 1/2 NPT	0.87	8.19	4.09
1 1/2	40	5.00	3.88	4	0.62	0.63	10.24	5.12	1.89	1.37	8.94	4.47	1 1/2-11 1/2 NPT	0.98	8.19	4.09

## Parts list

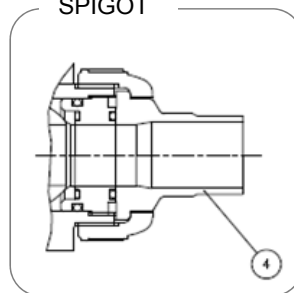
SOCKET



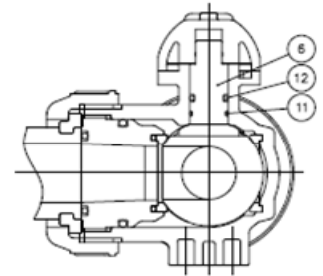
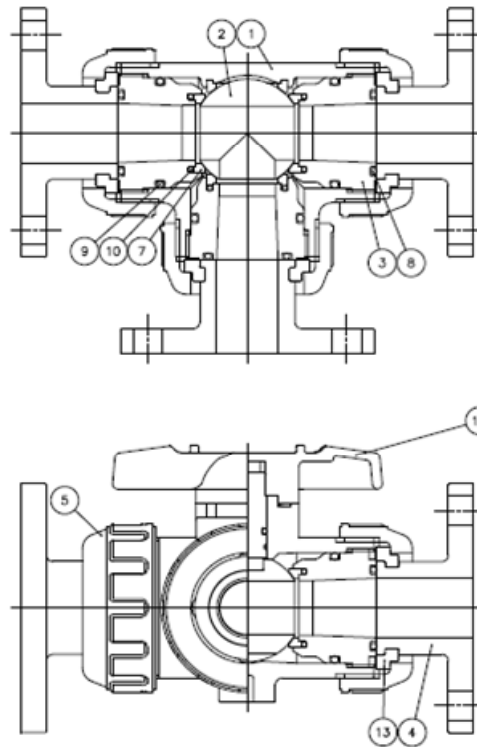
THREADED



SPIGOT



FLANGED



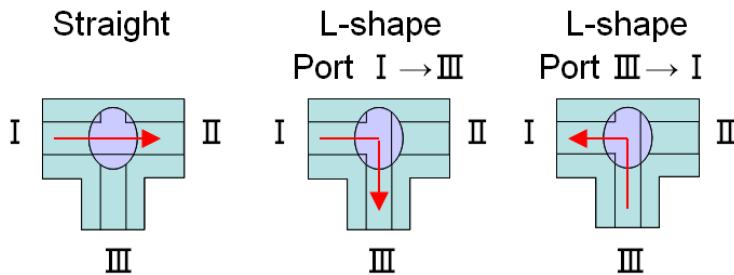
PART NO./NAME	QTY	MATERIAL	PART NO./NAME	QTY	MATERIAL
1 BODY	1	PP	8 O-RING ( A )	3	EPDM, FKM, Others
2 BALL	1	PP	9 O-RING ( B )	3	EPDM, FKM, Others
		T Port Type	10 O-RING ( C )	3	EPDM, FKM, Others
3 CARRIER	3	PP	11 O-RING ( D )	1	EPDM, FKM, Others
4 END CONNECTOR	3	PP	12 O-RING ( E )	1	EPDM, FKM, Others
5 UNION NUT	3	PPG	13 STOP RING	3	PVDF
6 STEM	1	PP			Used for Flanged
7 SEAT	4	PTFE	14 HANDLE	1	ABS

The shape and appearance of assembly differ a little with nominal size compared to this drawing.

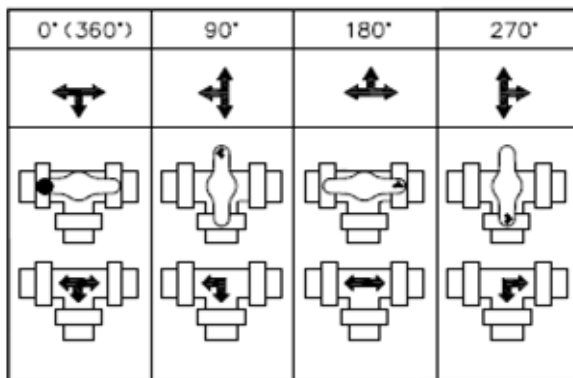
## Cv value

### FULL-OPEN Cv VALUE

Nominal Size mm (inch)	Flow Direction	25 (1")	32 (1 1/4")	40 (1 1/2")
Cv value	Straight	31	53	79
	L-shape (Port I→III)	16	30	41
	L-shape (Port III→I)	17	29	38



## FLOW DIRECTION DIAGRAM



## Product weight

3 WAY BALL VALVE TYPE 23 H [MANUAL]

UNIT : kg

mm	inch	FLANGED	SOCKET, THREADED, SPIGOT
		PP	PP
25	1	0.9	0.4
32	1 1/4	1.7	1.1
40	1 1/2	1.7	1.1

## Product model code list

ACTUATION	TYPE	OPERATING SYSTEM	BODY MATERIAL	SEAL MATERIAL	CONNECTION	STANDARD	SIZE
V	3H	LV	P	*	*	***	***
:	:	:	:	:	:	:	:
V MANUAL VALVE	3H TYPE 23H	LV LEVER TYPE	P PP	E EPDM V FKM	S SOCKET N THREADED P SPIGOT F FLANGED	J JIS D DIN A ANSI 1 10K	025 25mm 032 32mm 040 40mm

(1) The available ball shape is T port only. (2) The socket and spigot types are weld type. (3) Not compatible with 32-mm spigot type and JIS socket type. (4) Parts compliant with connection standards other than JIS (such as ANSI and DIN) are also available.

## Installation, Operation and Maintenance Manual

"For details of Installation, Operation and Maintenance, please refer IOM at below link"

[http://www.asahi-yukizai.co.jp/en/product/mt\\_pdf/a\\_manual\\_valve\\_2\\_004.pdf](http://www.asahi-yukizai.co.jp/en/product/mt_pdf/a_manual_valve_2_004.pdf)