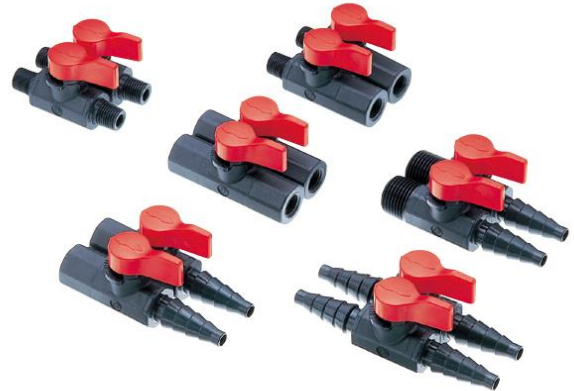


LAB COCK(Manual Type)

Features

- Light-weight and compact plastic valve with excellent corrosion resistance, flow characteristics, durability and functionality.
- Wide selection from a product line of 16 types.
- Octagon body allowing for easy piping with spanner.
- Flow control is available.



Basic specifications

- Valve Type : LAB COCK
- Body Material : U-PVC (Conforming to ASTM D1784 Cell Classification 12454A)
- Seal Material / Seat : PTFE, EPDM etc.
- / O-Ring : EPDM, FKM etc.

Body Material	FLUID TEMPERATURE °C {°F}	Maximum working pressure (Normal temperature) MPa {psi}	Connection method
U-PVC	0 ~ 50 { 30~120 }	1.0 { 150 }	Hose type, Male thread type, Female thread type (Any combination is available.)

Note::

- (1) Degreased type is also available by made-to-order.
- (2) The maximum working pressure is the value including the water hammer pressure. Be careful that the maximum working pressure is not exceeded during use.

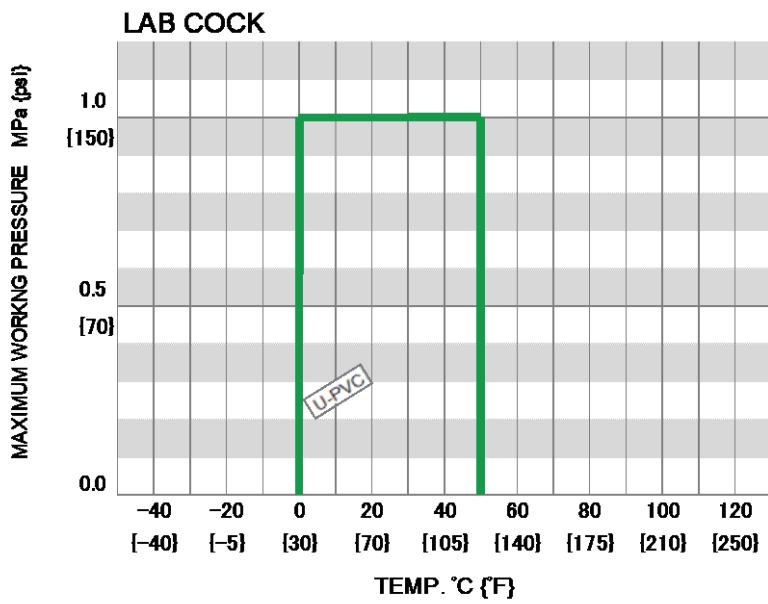
* Concerning the allowable pressure for each temperature and material, see the technical documents at the next page of this sheet.

Certificate / Approval / Directive

NSF/ANSI61

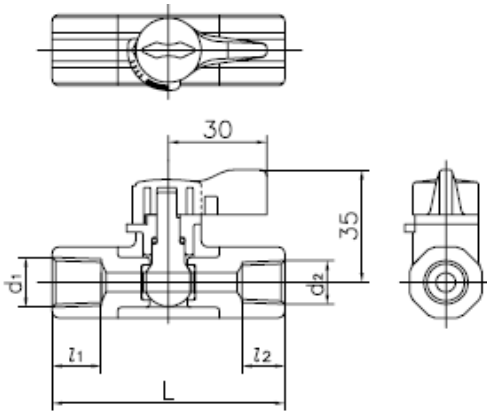
“For details of applicable products, please consult us.”

Working pressure vs. Temperature

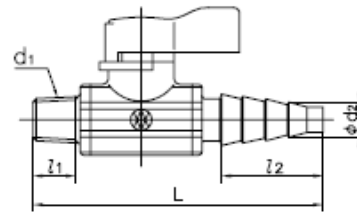


Product dimension

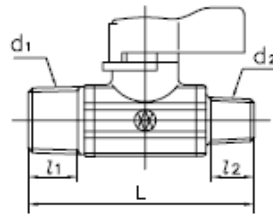
(2) FEMALE THREAD X FEMALE THREAD



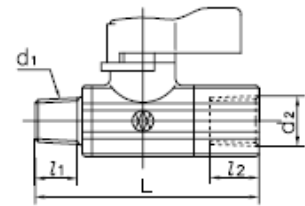
(1) MALE THREAD X HOSE



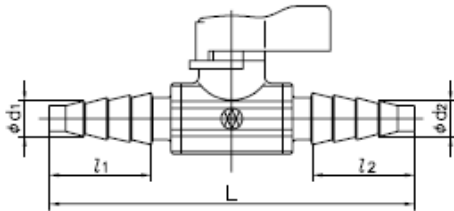
(4) MALE THREAD X MALE THREAD



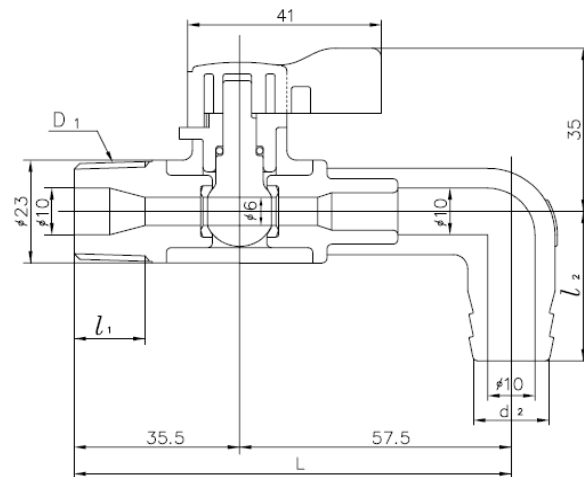
(3) MALE THREAD X FEMALE THREAD



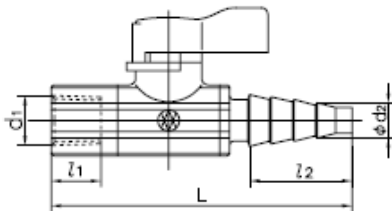
(5) HOSE X HOSE



(6) MALE THREAD X ELBOW

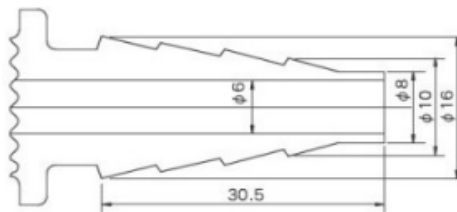


(7) FEMALE THREAD X HOSE

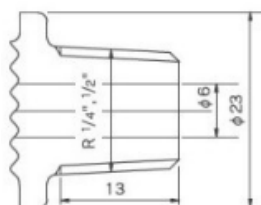


CONNECTION CONNECTOR

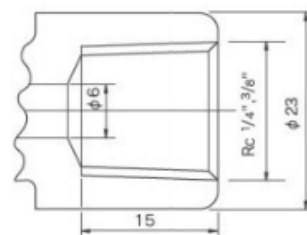
HOSE TYPE CONNECTION CONNECTOR



THREAD TYPE CONNECTION CONNECTOR



FEMALE THREAD TYPE CONNECTION CONNECTOR



JIS, DIN

Unit: mm

Unit: mm

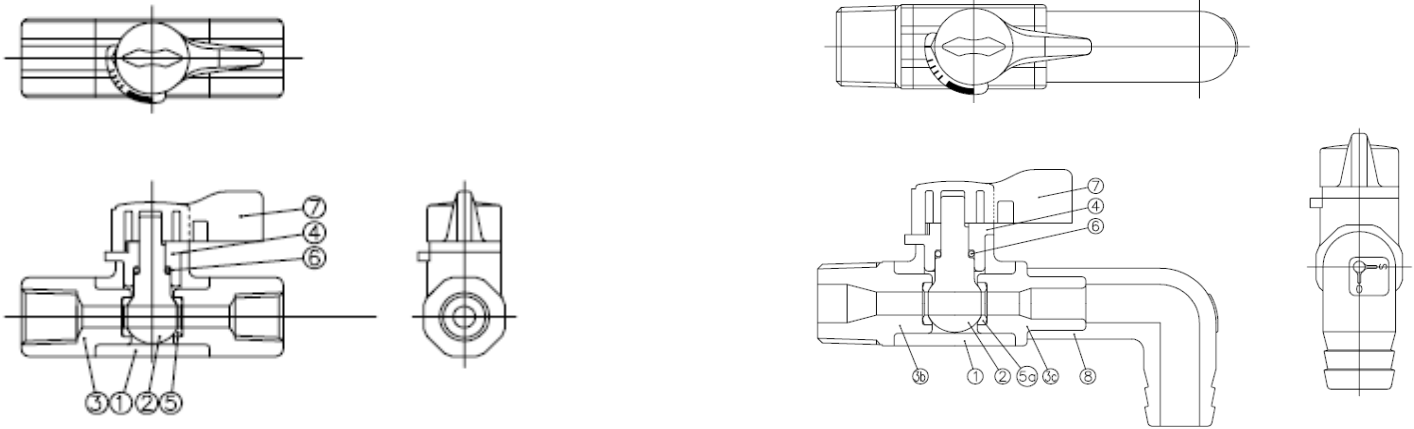
		JIS					DIN					CONNECTION CODE	
		d ₁	d ₂	l ₁	l ₂	L	d ₁	d ₂	l ₁	l ₂	L		
(1)	FEMALE THREAD X FEMALE THREAD	<input type="checkbox"/>	Rc 1/4	Rc 1/4	15	15	71	Rp 1/4	Rc 1/4	15	15	71	N4N4
		<input type="checkbox"/>	Rc 3/8	Rc 1/4	15	15	71	Rp 3/8	Rc 1/4	15	15	71	N8N4
		<input type="checkbox"/>	Rc 3/8	Rc 3/8	15	15	71	Rp 3/8	Rc 3/8	15	15	71	N8N8
(2)	HOSE X HOSE	<input type="checkbox"/>	10	10	30.5	30.5	111	10	10	30.5	30.5	111	H0H0
(3)	FEMALE THREAD X HOSE	<input type="checkbox"/>	Rc 1/4	10	15	30.5	91	Rp 1/4	10	15	30.5	91	N4H0
		<input type="checkbox"/>	Rc 3/8	10	15	30.5	91	Rp 3/8	10	15	30.5	91	N8H0
(4)	MALE THREAD X HOSE	<input type="checkbox"/>	R 1/4	10	13	30.5	88.5	R 1/4	10	13	30.5	88.5	O4H0
		<input type="checkbox"/>	R 1/2	10	15	30.5	91	R 1/2	10	15	30.5	91	O2H0
(5)	MALE THREAD X MALE THREAD	<input type="checkbox"/>	R 1/4	R 1/4	13	13	66	R 1/4	R 1/4	13	13	66	O4O4
		<input type="checkbox"/>	R 1/2	R 1/4	15	13	68.5	R 1/2	R 1/4	15	13	68.5	O2O4
		<input type="checkbox"/>	R 1/2	R 1/2	15	15	71	R 1/2	R 1/2	15	15	71	O2O2
(6)	MALE THREAD X FEMALE THREAD	<input type="checkbox"/>	R 1/4	Rc 1/4	13	15	68.5	R 1/4	Rp 1/4	13	15	68.5	O4N4
		<input type="checkbox"/>	R 1/4	Rc 3/8	13	15	68.5	R 1/4	Rp 3/8	13	15	68.5	O4N8
		<input type="checkbox"/>	R 1/2	Rc 1/4	15	15	71	R 1/2	Rp 1/4	15	15	71	O2N4
		<input type="checkbox"/>	R 1/2	Rc 3/8	15	15	71	R 1/2	Rp 3/8	15	15	71	O2N8
(7)	MALE THREAD X ELBOW	<input type="checkbox"/>	R 1/2	16	15	32	93	-	-	-	-	-	O2L01

ANSI

Unit: inch

		ANSI					CONNECTION CODE	
		d ₁	d ₂	l ₁	l ₂	L		
(1)	FEMALE THREAD X FEMALE THREAD	<input type="checkbox"/>	1/4-18 NPT	1/4-18 NPT	0.51	0.51	2.80	N4N4
		<input type="checkbox"/>	3/8-18 NPT	1/4-18 NPT	0.59	0.51	2.80	N8N4
		<input type="checkbox"/>	3/8-18 NPT	3/8-18 NPT	0.59	0.59	2.80	N8N8
(2)	HOSE X HOSE	<input type="checkbox"/>	0.39	0.39	1.20	1.20	4.37	H0H0
(3)	FEMALE THREAD X HOSE	<input type="checkbox"/>	1/4-18 NPT	0.39	0.51	1.20	3.58	N4H0
		<input type="checkbox"/>	3/8-18 NPT	0.39	0.59	1.20	3.58	N8H0
(4)	MALE THREAD X HOSE	<input type="checkbox"/>	1/4-18 NPT	0.39	0.51	1.20	3.48	O4H0
		<input type="checkbox"/>	1/2-14 NPT	0.39	0.59	1.20	3.58	O2H0
(5)	MALE THREAD X MALE THREAD	<input type="checkbox"/>	1/4-18 NPT	1/4-18 NPT	0.51	0.51	2.60	O4O4
		<input type="checkbox"/>	1/2-14 NPT	1/4-18 NPT	0.59	0.51	2.70	O2O4
		<input type="checkbox"/>	1/2-14 NPT	1/2-14 NPT	0.59	0.59	2.80	O2O2
(6)	MALE THREAD X FEMALE THREAD	<input type="checkbox"/>	1/4-18 NPT	1/4-18 NPT	0.51	0.51	2.70	O4N4
		<input type="checkbox"/>	1/4-18 NPT	3/8-18 NPT	0.51	0.59	2.70	O4N8
		<input type="checkbox"/>	1/2-14 NPT	1/4-18 NPT	0.59	0.51	2.80	O2N4
		<input type="checkbox"/>	1/2-14 NPT	3/8-18 NPT	0.59	0.59	2.80	O2N8
(7)	MALE THREAD X ELBOW	<input type="checkbox"/>	1/2-14 NPT	0.63	0.59	1.26	3.66	O2L01

Parts list



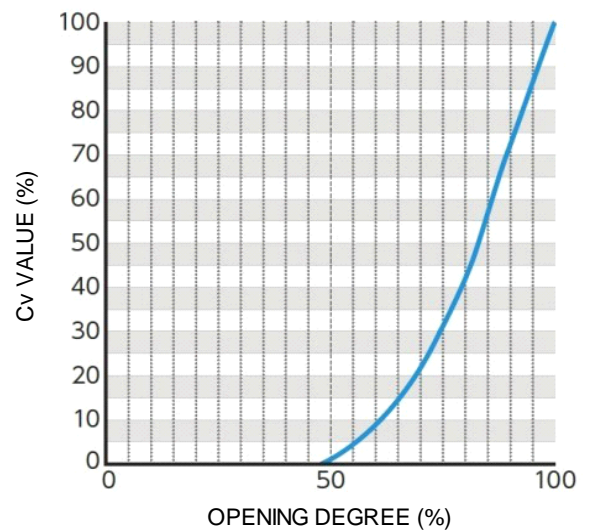
PART NO./NAME	QTY	MATERIAL
1 BODY	1	PVC
2 BALL&STEM	1	PVC
3 END CONNECTOR	2	PVC
3b END CONNECTOR (MALE THREAD)	1	PVC
3c END CONNECTOR (ELBOW ADAPTOR)	1	PVC
4 GLAND	1	PVC

PART NO./NAME	QTY	MATERIAL
5 SEAT ⁽¹⁾	2	EPDM, PTFE, Others (1) In case of the lub free valve limits it to PTFE seat.
5a SEAT	2	PTFE
6 O-RNG	1	EPDM, Others
7 HANDLE	1	ABS
8 ELBOW	1	PVC

Cv value for each opening degree

FULL-OPEN Cv VALUE

mm	-	15	-
inch	1/4	1/2	3/8
FULL-OPEN Cv VALUE	1.6		



Product weight

CONNECTION	U-PVC	UNIT : g
1/4 MALE X 1/4 MALE		25
1/2 MALE X 1/2 MALE		30
1/4 FEMALE X 1/4 FEMALE		30
3/8 FEMALE X 3/8 FEMALE		30
1/4 HOSE X 1/4 HOSE		25
1/2 MALE X ELBOW		55

Product model code list

ACTUATION	TYPE	OPERATING SYSTEM	BODY MATERIAL	SEAL MATERIAL	STANDARD	CONNECTION P.4
V	LC	LV	U	*	***	****
:	:	:	:	:	:	:
V MANUAL VALVE	LC LAB COCK	LV LEVER TYPE	U U-PVC	E EPDM	J JIS	N4N4 FEMALE THREAD X FEMALE THREAD
				V FKM	D DIN	:
				1 PTFE/EPDM	A ANSI	O2L01 MALE THREAD X ELBOW

Installation, Operation and Maintenance Manual

"For details of Installation, Operation and Maintenance, please contact our nearest distribution agent or sales office.