

GATE VALVE

Soft Seal Type S (Outside Screw Handle Type)

Features

- Made of robust, lightweight and impact-resistant hard vinyl chloride (HI-PVC).
- The channel surface free from irregularities allows for smooth flow. The rubber soft seal ensures excellent water tightness.
- The stem screw is not exposed to the fluid, no foreign object does not enter.



Basic specifications

- Valve Type : Gate Valve Soft Seal (Type S)
Outside Screw Round Handle Type
- Size : 32 mm — 250 mm (1 1/4 inch — 10 inch)
- Body Material : HI-PVC (Conforming to ASTM D1784)
- Seal Material / Seat : SBR, NBR
- / O-ring : EPDM
- Connection / Flanged : JIS B2220 10K, DIN/EN1092-1, ANSI B16.5

Body Material	FLUID TEMPERATURE °C {°F}	Maximum working pressure (Normal temperature) MPa {psi }		Connection method
		32mm - 200mm	250mm	
HI-PVC	-10 ~ 50 { 15~120 }	1.0 { 150 }	0.75 { 110 }	○

Note:: The maximum working pressure is the value including the water hammer pressure. Be careful that the maximum working pressure is not exceeded during use.

* Concerning the allowable pressure for each temperature and material, see the technical documents at the next page of this sheet.

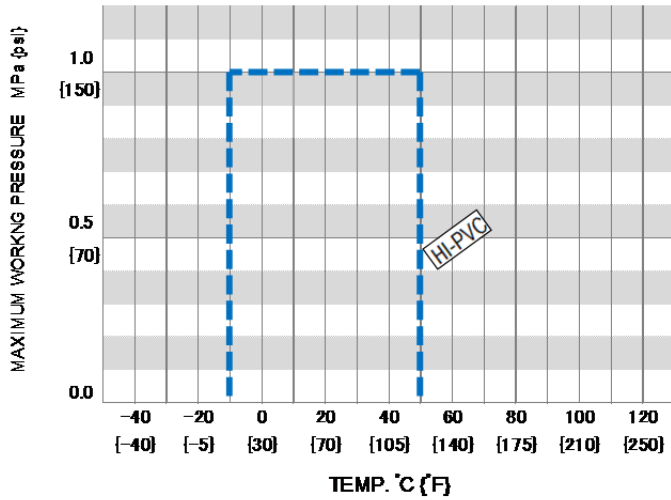
Certificate / Approval / Directive

PED, ABS, NSF/ANSI61

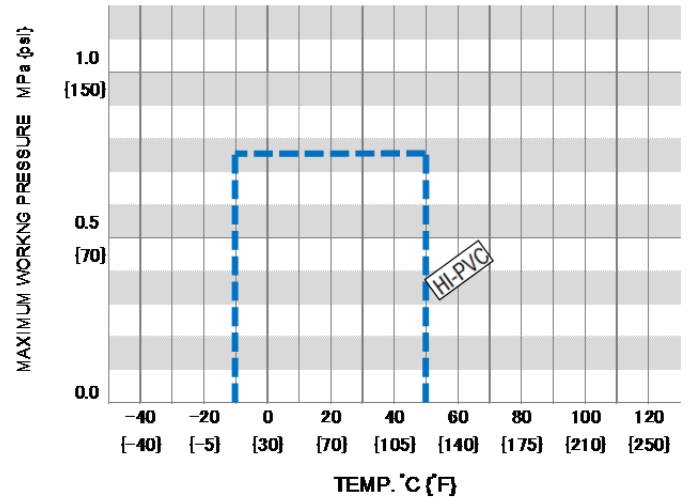
“For details of applicable products, please consult us.”

Working pressure vs. Temperature

**SOFT SEAL (TYPE S)
OUTSIDE SCREW ROUND HANDLE TYPE
: 32mm - 200mm**



**SOFT SEAL (TYPE S)
OUTSIDE SCREW ROUND HANDLE TYPE
: 250mm**

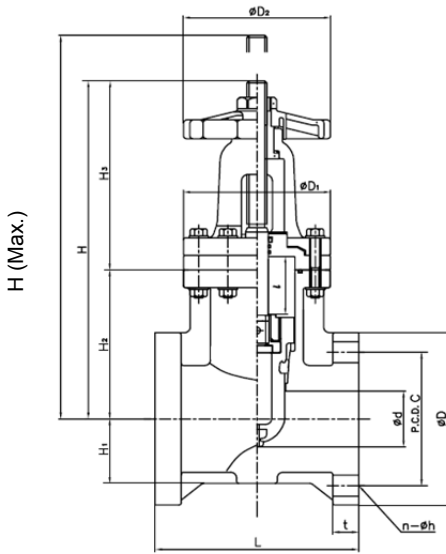


Note:

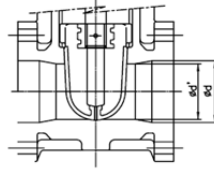
Make sure that the temperature and pressure are within the working range during operation.
(If the tolerance range is exceeded during use, the valve may be damaged.)

Product dimension

32mm (1 1/4") - 150mm (6")

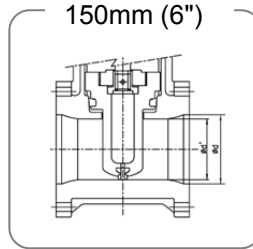


Conventional type:
65mm (2 1/2"), 125mm (5")

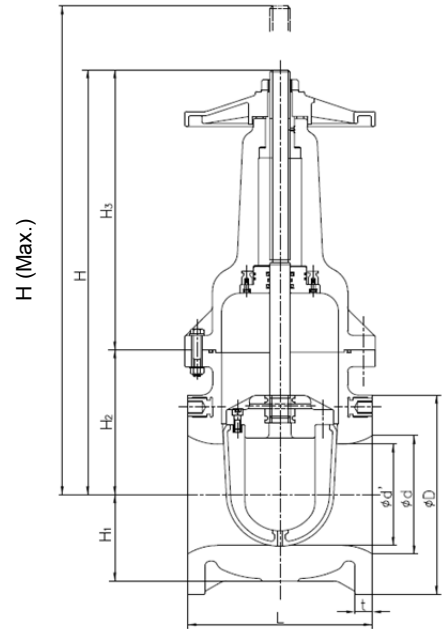


* 65 mm has a full-bore structure.
* $\phi d'$ is 125 mm only.

150mm (6")



200mm (8"), 250mm (10")



■ JIS, DIN (Unit: mm)

mm	inch	d	d'	D ₁	D ₂	L ₁	H	(Max.) H	H ₁	H ₂	H ₃	JIS 10K							DIN PN10								
												FLANGED							FLANGED								
												D	C	n	h	n ₁	M	L	t	D	C	n	h	n ₁	M	L	t
32	1 1/4	40	30	120	120	37	269	311	50	107	162	135	100	4	19	-	-	165	22	140	100	4	18	-	-	165	22
40	1 1/2	40	-	120	120	42	264	306	50	107	157	140	105	4	19	-	-	165	22	150	110	4	18	-	-	165	22
50	2	50	-	130	130	52	304	356	58	134	170	155	120	4	19	-	-	180	23	165	125	4	18	-	-	180	23
65	2 1/2	65	-	155	155	67	340	407	68	152	188	175	140	4	19	-	-	190	24	185	145	4	18	-	-	210	24
80	3	75	-	170	170	77	398	476	77	170	228	185	150	8	19	-	-	200	25	200	160	8	18	-	-	240	25
100	4	100	-	195	195	102	502	604	89	207	295	210	175	8	19	-	-	230	27	220	180	8	18	-	-	250	27
125	5	125	110	235	235	112	481	593	89	227	254	250	210	8	23	-	-	260	27	250	210	8	18	-	-	260	27
150	6	150	130	270	270	132	600	732	102	263	337	280	240	8	23	-	-	270	28	285	240	8	22	-	-	280	27
200	8	196	168	310	310	175	702	877	143	240	462	330	290	10	23	2	M20	290	28	340	295	6	22	2	M20	300	28
250	10	247	210	360	360	219	856	1075	175	270	586	400	355	12	25	-	-	380	30	395	350	12	22	-	-	380	30

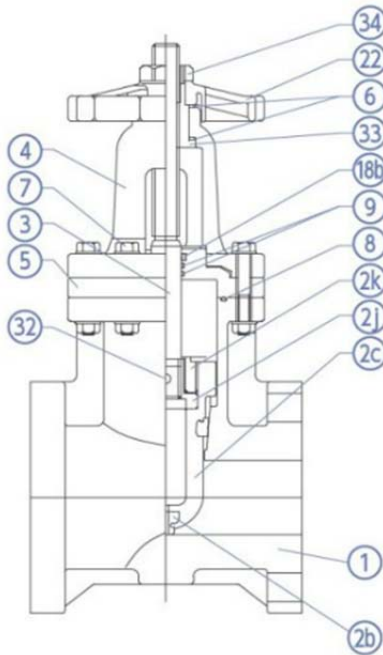
■ ANSI (Unit: inch)

inch	mm	d	d'	D ₁	D ₂	L ₁	H	(Max.) H	H ₁	H ₂	H ₃	ANSI Class150							
												FLANGED							
												D	C	n	h	n ₁	M	L	t
1 1/2	40	1.57	-	4.72	4.72	1.65	10.39	12.05	1.97	4.21	6.18	5.00	3.88	4	0.62	-	-	6.50	0.87
2	50	1.97	-	5.12	5.12	2.05	11.97	14.02	2.28	5.28	6.69	6.00	4.75	4	0.75	-	-	7.01	0.91
2 1/2	65	2.56	-	6.10	6.10	2.64	13.39	16.02	2.68	5.98	7.40	7.00	5.50	4	0.75	-	-	7.48	0.94
3	80	2.95	-	6.69	6.69	3.03	15.67	18.74	3.03	6.69	8.98	7.50	6.00	4	0.75	-	-	7.99	0.98
4	100	3.94	-	7.68	7.68	4.02	19.76	23.78	3.50	8.15	11.61	9.00	7.50	8	0.75	-	-	9.02	1.06
5	125	4.92	4.33	9.25	9.25	4.41	18.94	23.35	3.50	8.94	10.00	10.00	8.50	8	0.88	-	-	10.24	1.06
6	150	5.91	5.12	10.63	10.63	5.20	23.62	28.82	4.02	10.36	13.27	11.00	9.50	8	0.88	-	-	10.51	1.06
8	200	7.72	6.61	12.20	12.20	6.89	27.64	34.53	5.63	9.45	18.19	13.50	11.75	8	0.88	2	W 3/4	11.50	1.30
10	250	9.72	8.27	14.17	14.17	8.62	33.70	42.32	6.89	10.63	23.07	16.00	14.25	12	1.00	-	-	14.96	1.18

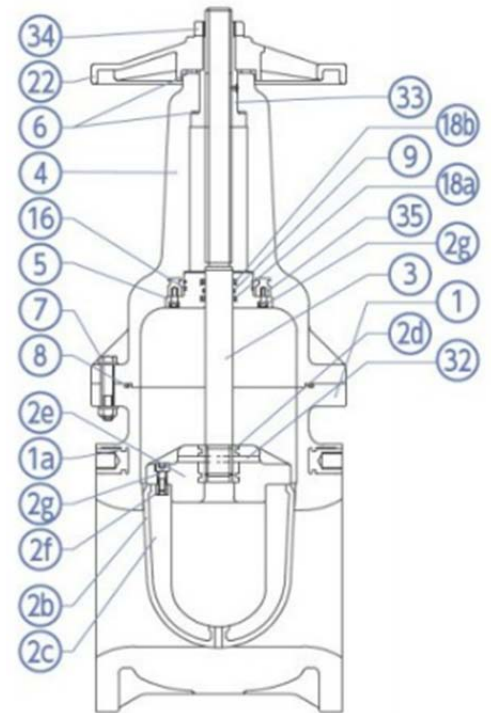
Note: The shape and appearance of assembly differ a little with nominal size compared to this drawing.

Parts list

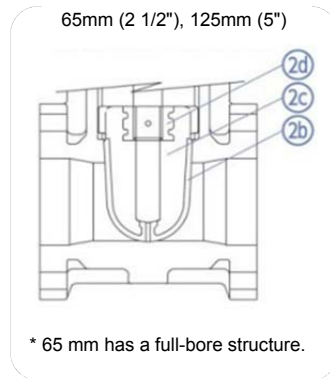
32mm (1 1/4") - 150mm (6")



200mm (8") - 250mm (10")



Conventional type:
65mm (2 1/2"), 125mm (5")

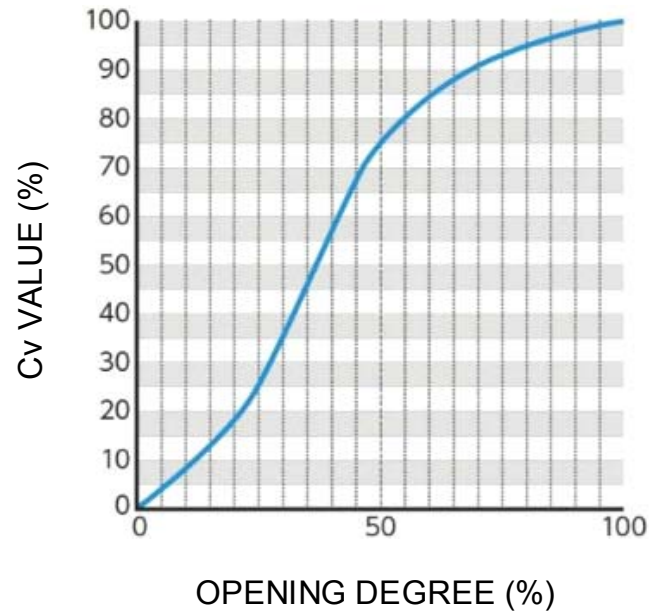


* 65 mm has a full-bore structure.

PART NO./NAME	QTY	MATERIAL	PART NO./NAME	QTY	MATERIAL	PART NO./NAME	QTY	MATERIAL
1 BODY	1	HI-PVC	2g BOLT (A) ⁽¹⁾	4	STAINLESS STEEL	9 O-RING (C)	-	EPDM, NBR
1a EMBEDDED BODY FITTING ⁽¹⁾	4	COPPER ALLOY	2j INTERNAL THREAD DEFLECTOR ⁽²⁾	4	BRONZE CASTING	16 O-RING (D) ⁽¹⁾	2	EPDM, NBR
2b SEAT	1	SBR	2k DEFLECTOR RETAINER ⁽²⁾	1	HI-PVC	18a DUST SEAL (A)	1	EPDM, NBR
2c GATE (BODY) (A)	1	HI-PVC, C-PVC ⁽²⁾	3 STEM	1	STAINLESS STEEL	18b DUST SEAL (B)	1	NBR
2d GATE (BODY) EMBEDDED FITTING (A) ⁽¹⁾	1	BRONZE CASTING	4 BONNET (LID) (A)	1	HI-PVC	22 HANDLE	1	PP
2e GATE (BODY) (B) ⁽¹⁾	1	HI-PVC	5 BONNET (LID) (B)	1	HI-PVC, PP	32 PIN (A)	1	STAINLESS STEEL
2f GATE (BODY) EMBEDDED FITTING (B) ⁽¹⁾	4	COPPER ALLOY	6 THRUST RING (A)	2	PP	33 SLEEVE	1	COPPER ALLOY
			7 BOLT/ NUT	-	STAINLESS STEEL	34 NUT	1	BRONZE CASTING
			8 O-RING (B)	1	EPDM, NBR	35 EMBEDDED LID FITTING ⁽¹⁾	4	COPPER ALLOY

(1) is used only for 200 mm and 250 mm. (2) is used for sizes other than 65 mm, 125 mm and 250 mm.

Cv value for each opening degree



FULL-OPEN Cv VALUE

mm	32	40	50	65	80	100	125	150	200	250
inch	1 1/4	1 1/2	2	2 1/2	3	4	5	6	8	10
GATE VALVE (TYPE S)	130	130	180	415	470	690	1000	1400	2900	3700

Product weight

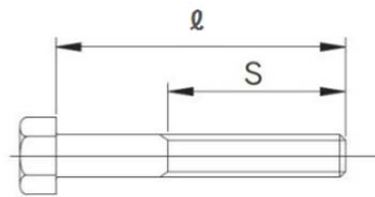
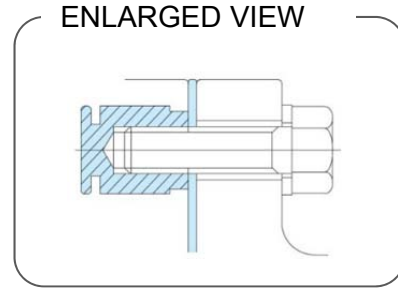
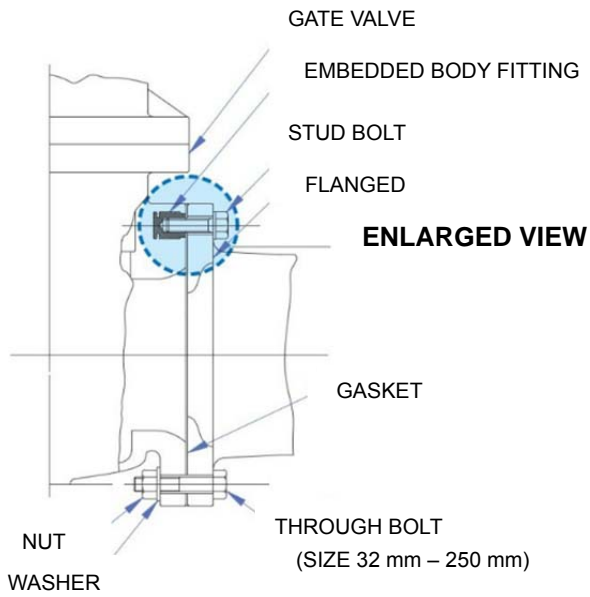
SOFT SEAL (TYPE S)

OUTSIDE SCREW HANDLE TYPE

UNIT : kg

mm	inch	OUTSIDE SCREW HANDLE TYPE
32	1 1/4	3.2
40	1 1/2	3.2
50	2	4.5
65	2 1/2	7.5
80	3	8.3
100	4	12.6
125	5	24.0
150	6	24.8
200	8	44.5
250	10	71.0

PIPE BOLT DIMENSIONS (REFERENCE)



	mm	inch	JIS 10K STANDARD AV TS FLANGE			
			BOLT NUT SIZE	WASHER SIZE	ℓ	S
THROUGH BOLT	32	1 1/4	M16	16	70	38
	40	1 1/2	M16	16	70	38
	50	2	M16	16	75	38
	65	2 1/2	M16	16	75	38
	80	3	M16	16	80	38
	100	4	M16	16	80	38
	125	5	M20	20	85	46
	150	6	M20	20	90	46
	200	8	M20	20	90	46
	250	10	M22	22	100	50
STUD BOLT	200	8	M20	20	50	46

Product model code list

SOFT SEAL (TYPE S) OUTSIDE SCREW ROUND HANDLE TYPE

ACTUATION	TYPE	OPERATING SYSTEM	STEM MATERIAL / OPEN DIRECTION	BODY MATERIAL	SEAL MATERIAL	CONNECTION / STANDARD	SIZE
V	**	M	L	I	S	*	***
V : MANUAL VALVE	SG CONVENTIONAL TYPE TG T-SHAPED RUBBER	M : ROUND HANDLE	L : SUS, LEFT	I : HI-PVC	S : SBR *	F1 FLANGED, 10K FD FLANGED, DIN FA FLANGED, ANSI	032 32mm 5 250 250mm

Note:

The type of size 65 mm, 125 mm, 200 mm and 250 mm is "conventional". The type of other sizes is "T-shaped rubber".

The price above is the set price for the valve, full-face gaskets (2pcs), and SUS plain washer.

* For the seal material NBR, contact us.

Installation, Operation and Maintenance Manual

"For details of Installation, Operation and Maintenance, please refer IOM at below link"

http://www.asahi-yukizai.co.jp/en/product/mt_pdf/a_manual_valve_5_01.pdf